



Michelangelo Sink 23" x 18" – U/M

Kitchen Sinks

Code: 1416 660

AISI 304 Stainless steel

Vintage finish

Undermount

x cross bending for easy water draining



DETAILS

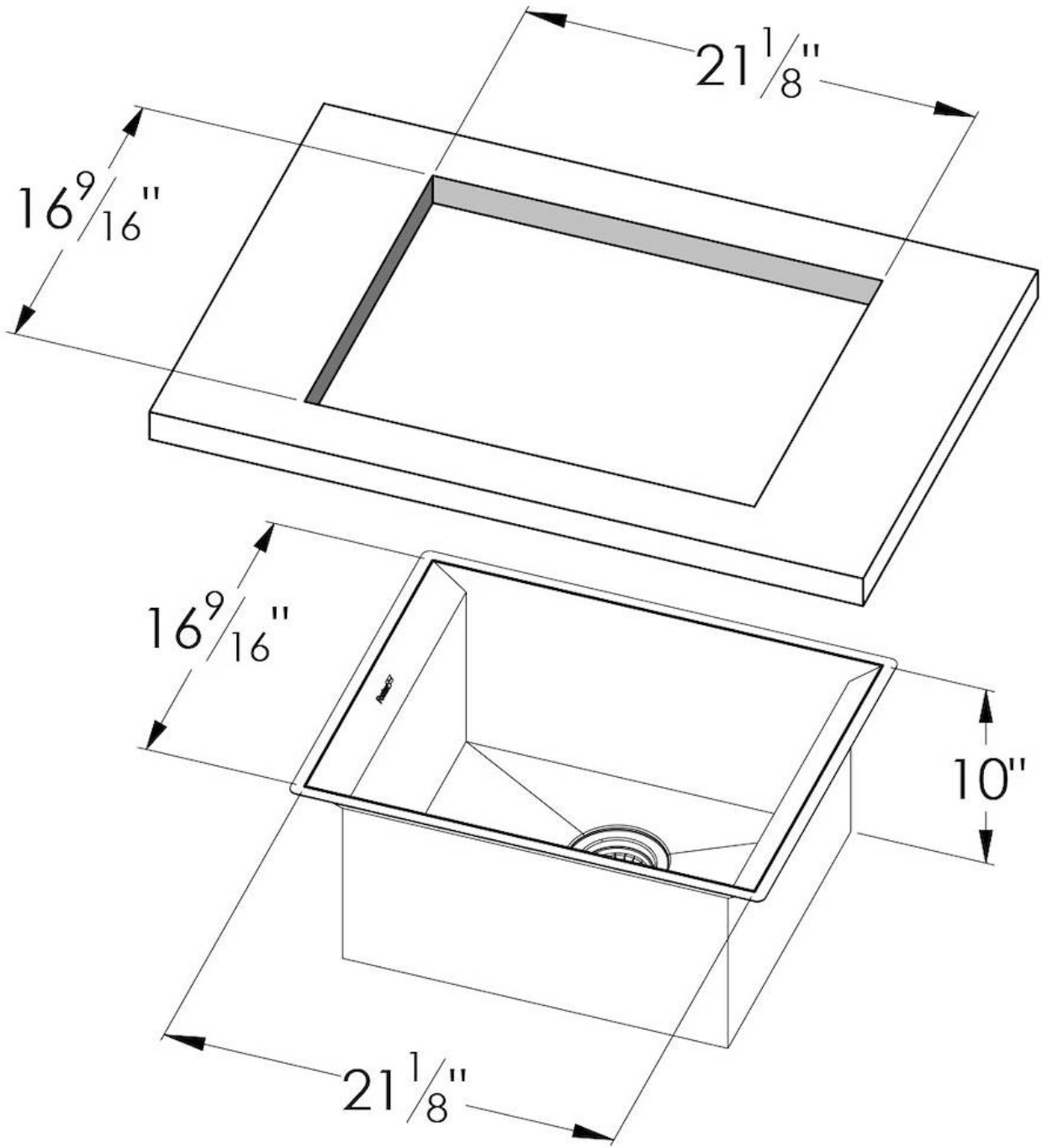
Edge/Installation Type	Undermount
Series	Michelangelo Series
Texture	Satin
Material	AISI 304 stainless steel
Thickness	16 Gauge (1.5 mm)
Overall dimensions	22 ⁵ / ₁₆ " x 17 ¹¹ / ₁₆ "
Bowl dimension	1 bowl 18" x 15 ³ / ₄ "
Bowls depth	10 "

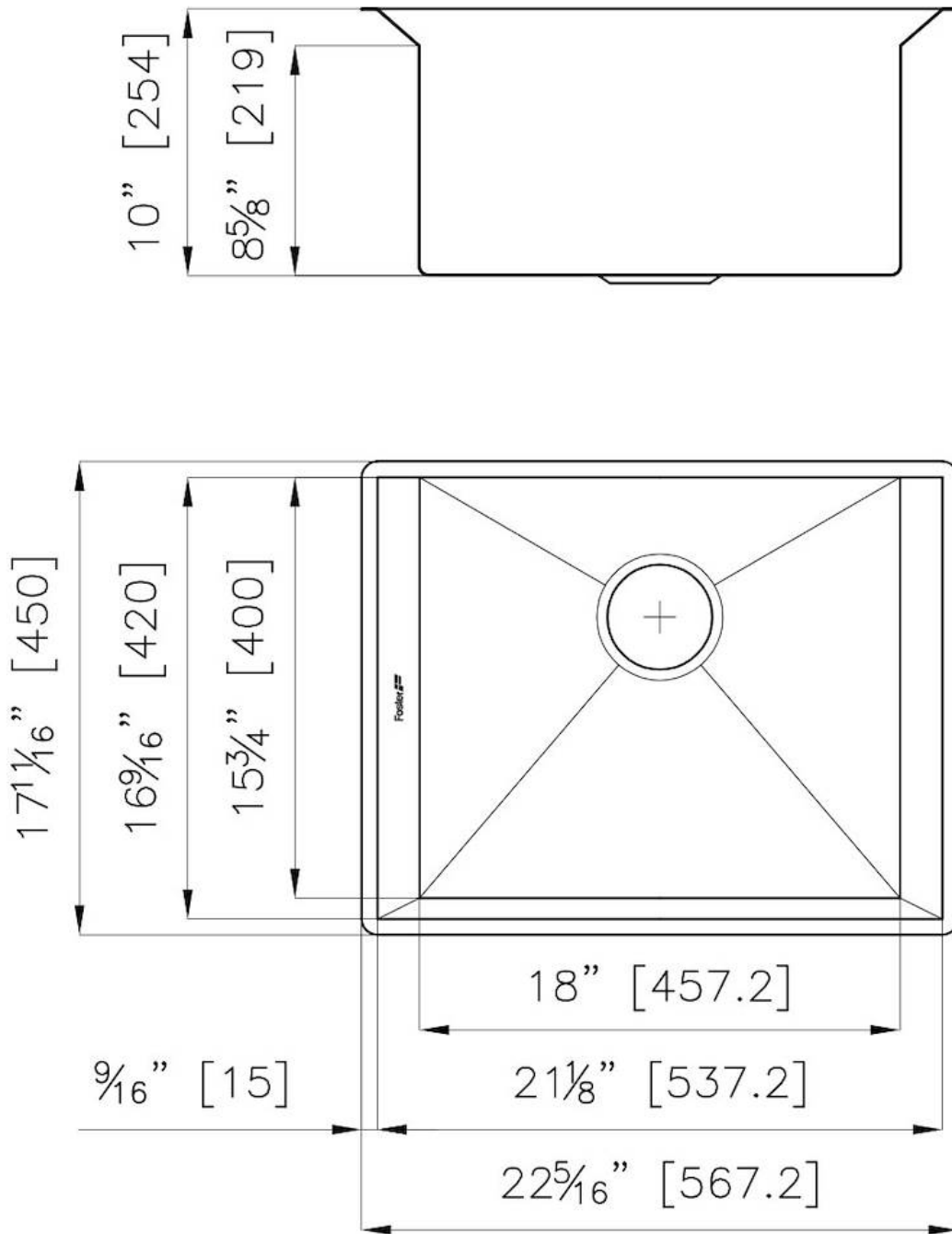
Cut out	21 ¹ / ₈ " x 16 ⁹ / ₁₆ "
Waste fitting type	3 ¹ / ₂ " space – with satin steel cover
Bowls bottom	X cross bending for easy water draining
Underside	Protected with heavy duty undercoating
Fixing system	Undermount fixing kit (brass insert and clips)

FEATURES

Diamond-shape bottom	The draining of water is an important feature in a sink, and it's always taken good care of in Foster products. In the bent-welded sinks, which would have a flat bottom, the proper draining is guaranteed by the elegant beveling, which helps the water flow.
High thickness	1.5 mm thick steel. A significant thickness, which guarantees the maximum sturdiness and durability.
Inclined recess	A deep and inclined recess houses the burners and grigs, allowing to create a single work surface. The inclination also makes it extremely easy to clean the edges.
Save space system	Drain and siphon are designed to leave as much space as possible in the under-sink area, more and more useful today for theseparate waste collection systems.
Squared bowls - 0/9 radius	The square bowls of Foster have perfectly squared vertical edges, while those on the bottom have a small radius of 9 mm that facilitates cleaning operations.

TECHNICAL DATA





OPTIONAL ACCESSORIES



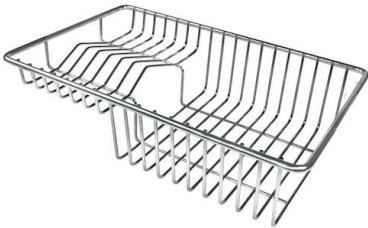
Grating kit complete with ring support and food collection tray
8159 101



Stainless steel perforated pan
8151 000



Waste disposer throat
8669 043



Stainless Steel dishes holder
8100 303



HDPE Twin Chopping Board
8644 100



Chopping board
8656 001

RECOMMENDED PAIRINGS



Faucet Capri
8467 005



Faucet Salina
8487 005



Milano Cooktop 4 burners inLine
7640 900



**Milano Induction Cooktop 4 Plate
inLine**
7334 945